

# **INSULATED WIRES**





□ Introduction.....	3
□ <b>PRODUCT RANGE:</b> .....	<b>4</b>
□ PVC Insulated Wires.....	5
450/750V - SINGLE CORE.....	5
(CU / PVC).....	5
600/1000V - SINGLE CORE.....	6
(CU / PVC).....	6
□ Flexible Cords.....	7
450/750V - SINGLE CORE FLEXIBLE CABLES.....	7
(CU / PVC).....	8
600/1000V - SINGLE CORE FLEXIBLE CABLES.....	9
(CU / PVC).....	9
300/500V – TWO CORE FLEXIBLE CORDS.....	10
(CU / PVC / PVC).....	10
300/500V – THREE CORE FLEXIBLE CORDS.....	11
(CU / PVC / PVC).....	11
300/500V – FOUR CORE FLEXIBLE CORDS.....	13
(CU / PVC / PVC).....	13
300/500V – FIVE CORE FLEXIBLE CORDS.....	14
(CU / PVC / PVC).....	14
□ Twin and SIEMENS Cables.....	15
300/500V – TWIN FLAT CABLE.....	15
(CU / PVC / PVC).....	15
300/500V – TWIN FLAT CABLE.....	16
(CU / PVC / PVC).....	17
300/300V – PARALLEL TWIN.....	18
(CU / PVC).....	18
□ Technical Data Tables.....	19
Current Rating & Voltage Drop.....	19
Current Carrying Capacity (Amps).....	19
Voltage Drop (mV/A/m).....	20
Rating factor for variation in ambient temperature.....	22
Correction Factor for groups of Cables.....	22
□ Short Circuit Curves.....	22





300/500V Flexible cords.....	23
Installation conditions for above Rating:.....	23
Rating factor for variation in ambient temperature.....	23
Short Circuit Curves For Copper Conductor.....	24
PVC 70°C Insulated Cable.....	24
<input type="checkbox"/> DRUMS.....	26
DRUM SIZES AND DIMENSIONS.....	26
DIMENSIONS.....	27





## Introduction:

ZMS Cable Company's head office and warehouse are situated in the capital of Henan province, just off the Motorway, at Fuming Rd in Zhengzhou.

ZMS Cable is the earliest private enterprise in Henan(China) cable business. Our cables are manufactured using the most up-to-date technology. Modern production facilities are backed by a highly qualified work force and experienced engineers, who ensure that only cable of the highest quality leaves our factories.

- **Our customers will receive superior value**
- **Our shareholders will receive ever exceeding returns on their investments**
- **Our business partners will share our success**
- **Our employees will prosper**

Our products are designed and manufactured to meet the needs of the Local regional and International markets. All our products meet the respective world standards. We handle all available means for exporting products - land marine and air. We are also equipped to meet all expo requirements and formalities in the local Arab markets including Saudi Arabia United Arab Emirates Oman Bahrain Jordan Iraq and ENA.

We have developed and established communication channels with our customers through which we constantly get updates and feedbacks on their stated / implied needs and problems. Based on this Information we have devised new modalities to provide better service to our valued customers. Thus we not only provide Quality Products but also offer a host of related services before and after the sale.

## **Products:**

Medium Voltage Power Cables up to 19/33(36) KV

Low Voltage Power Cables up to 600/1000V

Control Cables 600/1000V

Bare Conductors for Overhead Lines

Earthing Conductors

PVC or XLPE Insulated Conductors

Domestic Applications / Internal Wiring

LSF Cables & Wires

Lead Sheathed Cables

Enamelled Wires

Telephone communication & Instrumentation Cables

## **Quality:**

Quality has always been our top priority and to meet customer's expectation has been our prime objective; the very basis on which

[www.zmscable.com](http://www.zmscable.com)

Add: (Changzhuang Village) Fumin Road, Zhongyuan District, Zhengzhou City, Henan P.R.C., China / Code: 450042

Tel.: 0086-371-67829367 / Fax: 0086-371-67828777

\* ZMS--- TRANS MORE \*



we earned the confidence of our clientele. It is this concern and commitment rather than just sell of product has given us a distinct image and competitive advantage.

### **Certificates:**

**ISO9001:2008 CETIFIED BYRWTUV GERMANY**

**ISO 9001:2008 CETIFIED BY SGS**

**ISO 14001:2009**

**BASEC RANGE OF CERTIFICATES**

We at ZMS Cables always aim for the best. While most of the Cable anufacturers in China,we stand out with ISO 9001which recognizes our ability for Design & Development as well.

As a philosophy, our commitment to Customers does not end with a sale. We also offer a host of related services before and after the sale. These include,

- Application engineering service for selection of appropriate product best suiting the end use.
- An extensive range of cables single core wiresflexible cords bare & insulated conductors manufactured to stringent Quality standards going beyond international specifications.
- Design and Development of products tailored to meet specific requirements of the application.
- To help the customers understand the product intricacies and its performance levels.

### **NOTE 1:**

THE TABULATIONS ON SUBSEQUENT PAGES FURNISH OVERALL DIMENSIONS NET & GROSS WEIGHTS AND DRUM DIMENSIONS. PLEASE NOTE THAT THESE ARE "APPROXIMATE" VALUES. THEY HAVE BEEN FURNISHED FOR GENERAL GUIDELINES AND INTENDED TO BE USED FOR THUMB RULE ESTIMATIONSONS 1 FREIGHT CALCULATIONS.

### **NOTE 2:**

THE FOLLOWING LIST TABULATES ONLY THE "STANDARD" PRODUCTS. FOR ANY PRODUCT NOT LISTED BELOW PLEASE DO NOT HESITATE TO CONTACT OUR SALES & MARKETTING DIVISION. WE SHALL BE TOO PLEASED TO MEET YOUR SPECIFIC REQUIREMENTS.

### **PRODUCT:**

### **STANDARD:**

#### **DOMESTIC APPCATIONS I INTERNAL WIRING**

- |  |                                |
|--|--------------------------------|
| • PVC insulated non sheathed single core wires   | BS 6004 / BS 6231              |
| • PVC insulated PVC sheathed flexible cords  | BS 6500 / BS 6141 / BS 6004    |
| • PVC insulated PVC sheathed twin flat cables and cords with<br>Or Without circuit protective conductors (ECC) | BS 6004 / Client specification |

[www.zmscable.com](http://www.zmscable.com)

Add: (Changzhuang Village) Fumin Road, Zhongyuan District, Zhengzhou City, Henan P.R.C., China / Code: 450042

Tel.: 0086-371-67829367 / Fax: 0086-371-67828777

\* **ZMS--- TRANS MORE** \*





## ▣ PVC Insulated Wires

### 450/750V - SINGLE CORE



**COPPER CONDUCTOR PVC INSULATED  
UNSHEATHED CABLES**

**(CU / PVC)**

Nominal Area of Conductor	Maximum Conductor Resistance at 20°C	Thickness of Insulation	Approx. Overall Diameter	Approx. Cable Weight	Standard Packing Length	Approx. Gross Weight
Sq.mm	Ohm/Km	mm	mm	Kg/Km	Yard/Meter	KG
1.0*	18.1	0.6	2.5	15	100Y	1.4
1.5**	12.1	0.7	3.0	21	100Y	1.9
1.5	12.1	0.7	3.2	22	100Y	2
2.5**	7.41	0.8	3.6	32	100Y	2.9
2.5	7.41	0.8	3.8	34	100Y	3.1
4	4.61	0.8	4.3	49	100Y	4.5
6	3.08	0.8	4.9	68	100Y	6.2
10	1.83	1.0	6.0	115	100Y	10.5
16	1.15	1.0	7.1	170	100Y	15.5
25	0.727	1.2	8.8	265	1000M	24.3
35	0.524	1.2	9.9	360	1000M	420
50	0.387	1.4	11.4	490	1000M	550
70	0.268	1.4	13.0	690	1000M	750
95	0.193	1.6	15.3	950	500M	535
120	0.153	1.6	16.8	1180	500M	650
150	0.124	1.8	18.6	1480	500M	800
185	0.0991	2.0	20.6	1810	500M	1010
240	0.0754	2.2	23.5	2360	500M	1290
300	0.0601	2.4	25.9	2960	500M	1590
400	0.047	2.6	29.2	3820	500M	2120
500	0.0366	2.8	32.6	4810	500M	2640
630	0.0283	2.8	38.2	6180	250M	1700



## 600/1000V - SINGLE CORE



**COPPER CONDUCTOR PVC INSULATED  
CABLES FOR SWITCHGEAR AND  
CONTROLGEAR WIRING TYPE CU  
AND CR AS PER BS 6231 - 1990**

**(CU / PVC)**

Type	Nominal Area of Conductor	Maximum Conductor Resistance at 20°C	Thickness of Insulation	Approx. Overall Diameter	Approx. Cable Weight	Standard Packing Length	Approx. Gross Weight
	Sq.mm	Ohm/Km	mm	mm	Kg/Km	Yard/Meter	KG
1	1.0	18.1	0.8	3.2	18	100Y	1.8
	1.5	12.1	0.8	3.5	23	100Y	2.3
	2.5	7.41	0.8	3.9	32.0	100Y	3.2
2	2.5	7.41	0.8	4.2	34.0	100Y	3.4
	4	4.61	0.8	4.8	49	100Y	4.9
	6	3.08	0.8	5.4	68	100Y	6.8
	10	1.83	1.0	6.8	115	100Y	12
	16	1.15	1.0	8.0	170	100Y	17
	25	0.727	1.2	9.8	265	100Y	27
	35	0.524	1.2	11.0	360	1000M	410
	50	0.387	1.4	13.0	490	1000M	550
	70	0.268	1.4	15.0	685	1000M	745
	95	0.193	1.6	17.0	950	500M	525
	120	0.153	1.6	19.0	1180	500M	650
	150	0.124	1.8	21.0	1480	500M	800
185	0.0991	2.0	23.5	1810	500M	965	
240	0.0754	2.2	26.5	2360	500M	1280	

Type 1: Rigid, round, solid conductors (Class 1).

Type 2: Rigid, round, stranded conductors (Class 2).

All the cables are insulated with PVC 70°C compound.

Cables conform to BS 6231-1990

[www.zmscable.com](http://www.zmscable.com)

Add: (Changzhuang Village) Fumin Road, Zhongyuan District, Zhengzhou City, Henan P.R.C., China / Code: 450042

Tel.: 0086-371-67829367 / Fax: 0086-371-67828777

\* ZMS--- TRANS MORE \*



## ▣ Flexible Cords

### 450/750V - SINGLE CORE FLEXIBLE CABLES

**COPPER CONDUCTOR PVC INSULATED  
NOT SHEATHED CABLES – TYPE – H07V-K  
OF BS 6004**

**(CU / PVC)**

Nominal Area of Conductor	Maximum Conductor Resistance at 20°C	Thickness of Insulation	Approx. Overall Diameter	Approx. Cable Weight	Standard Packing Length	Approx. Gross Weight
Sq.mm	Ohm/Km	mm	mm	Kg/Km	Yard/Meter	KG
1.5	13.3	0.7	3.4	21	100Y	1.9
2.5	7.98	0.8	4.1	33	100Y	3.0
4	4.95	0.8	4.8	48	100Y	4.4
6	3.3	0.8	5.3	70	100Y	6.4
10	1.91	1.0	6.8	115	100Y	11
16	1.21	1.0	8.1	170	100Y	16
25	0.780	1.2	10.2	270	100Y	25
35	0.554	1.2	11.7	365	1000M	430
50	0.386	1.4	13.9	505	1000M	570
70	0.272	1.4	16.0	700	1000M	800
95	0.206	1.6	18.2	960	1000M	1070
120	0.161	1.6	20.2	1200	1000M	1310
150	0.129	1.8	22.5	1510	1000M	1660
185	0.106	2.0	24.9	1830	1000M	1980
240	0.0801	2.2	28.4	2360	1000M	2630

All Conductors are flexible (Class 5).

Above cables are insulated with PVC 70°C compound.

Cables conform to BS 6004.

[www.zmscable.com](http://www.zmscable.com)

Add: (Changzhuang Village) Fumin Road, Zhongyuan District, Zhengzhou City, Henan P.R.C., China / Code: 450042

Tel.: 0086-371-67829367 / Fax: 0086-371-67828777

\* **ZMS--- TRANS MORE** \*





## 600/1000V - SINGLE CORE FLEXIBLE CABLES



**COPPER CONDUCTOR PVC INSULATED  
CABLES FOR SWITCHGEAR AND  
CONTROLGEAR WIRING  
AS PER BS 6231-1990**

**(CU / PVC)**

Nominal Area of Conductor	Maximum Conductor Resistance at 20°C	Thickness of Insulation	Approx. Overall Diameter	Approx. Cable Weight	Standard Packing Length	Approx. Gross Weight
Sq.mm	Ohm/Km	mm	mm	Kg/Km	Yard/Meter	KG
0.5	39	0.8	3.0	12	100Y	1.1
0.75	26	0.8	3.2	15	100Y	1.4
1	19.5	0.8	3.4	18	100Y	1.6
1.5	13.3	0.8	3.7	23	100Y	2.2
2.5	7.98	0.8	4.2	33	100Y	3.0
4	4.95	0.8	4.8	48	100Y	4.4
6	3.3	0.8	6.3	70	100Y	6.4
10	1.91	1.0	7.8	115	100Y	11
16	1.21	1.0	9.0	170	100Y	16
25	0.78	1.2	11.5	270	100Y	25
35	0.554	1.2	13.0	365	1000M	430
50	0.386	1.4	15.0	505	1000M	570
70	0.272	1.4	17.5	700	1000M	810
95	0.206	1.6	19.5	960	1000M	1070
120	0.161	1.6	21.5	1200	1000M	1350
150	0.129	1.8	24.0	1510	1000M	1660
185	0.106	2.0	26.5	1830	1000M	2040
240	0.0801	2.2	30.0	2390	1000M	2630
300	0.0641	2.4	32.0	2990	500M	1650
400	0.0486	2.6	37.0	3940	500M	2210
500	0.0384	2.8	41.0	5020	500M	2750
630	0.0287	2.8	44.0	6070	250M	1670

[www.zmscable.com](http://www.zmscable.com)  
 Add: (Changzhuang Village) Fumin Road, Zhongyuan District, Zhengzhou City, Henan P.R.C., China / Code: 450042  
 Tel.: 0086-371-67829367 / Fax: 0086-371-67828777

\* **ZMS--- TRANS MORE** \*



All Conductors are flexible (Class 5).  
Above cables are insulated with PVC 70°C compound.  
All Cables conform to BS 6231-1990.



## 300/500V – TWO CORE FLEXIBLE CORDS

**COPPER CONDUCTOR PVC INSULATED  
PVC SHEATHED FLEXIBLE CORDS**

**(CU / PVC / PVC)**

Nominal Area of Conductor	Maximum Conductor Resistance at 20°C	Thickness of Insulation	Thickness of Outer Sheath	Approx. Overall Diameter	Approx. Cable Weight	Standard Packing Length
Sq.mm	Ohm/Km	mm	mm	mm	Kg/Km	Yard/Meter
0.5	39.0	0.6	0.8	7.0	53	100Y
0.75	26.0	0.6	0.8	7.6	62	100Y
1.0	19.5	0.6	0.8	8.0	74	100Y
1.5	13.3	0.7	0.8	9.0	95	100Y
2.5	7.98	0.8	1.0	11.0	140	100Y
4	4.95	0.8	1.1	12.0	195	100Y
6*	3.30	0.8	1.2	14.0	275	1000M
10*	1.91	1.0	1.4	17.5	435	1000M
16*	1.21	1.0	1.4	20.0	595	1000M

All Conductors are flexible (Class 5).  
Above cable are insulated and sheathed with PVC 70°C compound.  
\*Cables generally confirm to BS 6500 and BS 6004.  
All other cables confirm to BS 6500.



## 300/500V – THREE CORE FLEXIBLE CORDS

**COPPER CONDUCTOR PVC INSULATED  
PVC SHEATHED FLEXIBLE CORDS**

**(CU / PVC / PVC)**

Nominal Area of Conductor	Maximum Conductor Resistance at 20°C	Thickness of Insulation	Thickness of Outer Sheath	Approx. Overall Diameter	Approx. Cable Weight	Standard Packing Length
Sq.mm	Ohm/Km	mm	mm	mm	Kg/Km	Yard/Meter
0.5*	39	0.6	0.8	7.5	60	100Y
0.75	26	0.6	0.8	8	75	100Y
1	19.5	0.6	0.8	8.4	85	100Y
1.5	13.3	0.7	0.8	9.8	120	100Y
2.5	7.98	0.8	1.1	12	175	100Y
4	4.95	0.8	1.2	13	240	1000M
6*	3.3	0.8	1.4	15.5	350	1000M
10*	1.91	1	1.4	19	535	1000M
16*	1.21	1	1.4	21.5	745	1000M

All Conductors are flexible (Class 5).

Above cable are insulated and sheathed with PVC 70°C compound.

\*Cables generally confirm to BS 6500 and BS 6004.

All other cables confirm to BS 6500.

[www.zmscable.com](http://www.zmscable.com)

Add: (Changzhuang Village) Fumin Road, Zhongyuan District, Zhengzhou City, Henan P.R.C., China / Code: 450042

Tel.: 0086-371-67829367 / Fax: 0086-371-67828777

\* **ZMS--- TRANS MORE** \*



## 300/500V – FOUR CORE FLEXIBLE CORDS

**COPPER CONDUCTOR PVC INSULATED  
PVC SHEATHED FLEXIBLE CORDS**

**(CU / PVC / PVC)**

Nominal Area of Conductor	Maximum Conductor Resistance at 20°C	Thickness of Insulation	Thickness of Outer Sheath	Approx. Overall Diameter	Approx. Cable Weight	Standard Packing Length
Sq.mm	Ohm/Km	mm	mm	mm	Kg/Km	Yard/Meter
0.75	26	0.6	0.8	8.6	90	100Y
1	19.5	0.6	0.9	9.4	105	100Y
1.5	13.3	0.7	1	11	150	100Y
2.5	7.98	0.8	1.1	13	210	100Y
4	4.95	0.8	1.2	14	290	1000M
6*	3.3	0.8	1.4	17	430	1000M
10*	1.91	1	1.4	20.5	660	1000M
16*	1.21	1	1.4	23.5	925	1000M

All Conductors are flexible (Class 5).

Above cable are insulated and sheathed with PVC 70°C compound.

\*Cables generally confirm to BS 6500 and BS 6004.

All other cables confirm to BS 6500.

[www.zmscable.com](http://www.zmscable.com)

Add: (Changzhuang Village) Fumin Road, Zhongyuan District, Zhengzhou City, Henan P.R.C., China / Code: 450042

Tel.: 0086-371-67829367 / Fax: 0086-371-67828777

\* **ZMS--- TRANS MORE** \*





## 300/500V – FIVE CORE FLEXIBLE CORDS

**COPPER CONDUCTOR PVC INSULATED  
PVC SHEATHED FLEXIBLE CORDS**

**(CU / PVC / PVC)**

Nominal Area of Conductor	Maximum Conductor Resistance at 20°C	Thickness of Insulation	Thickness of Outer Sheath	Approx. Overall Diameter	Approx. Cable Weight	Standard Packing Length
Sq.mm	Ohm/Km	mm	mm	mm	Kg/Km	Yard/Meter
0.75	26	0.6	0.9	9.6	125	100Y
1	19.5	0.6	0.9	10	145	100Y
1.5	13.3	0.7	1.1	12	205	100Y
2.5	7.98	0.8	1.2	14	290	1000M
4	4.95	0.8	1.4	15.5	410	1000M

All Conductors are flexible (Class 5).

Above cable are insulated and sheathed with PVC 70°C compound.

\*Cables generally confirm to BS 6500 and BS 6004.

All other cables confirm to BS 6500.



## ▣ Twin and SIEMENS Cables



### 300/500V – TWIN FLAT CABLE

**COPPER CONDUCTOR PVC INSULATED  
PVC SHEATHED CABLES  
WITH CIRCUIT PROTECTIVE CONDUCTOR**

**(CU / PVC / PVC)**

Nominal Area		Maximum Resistance at 20°C		Thickness of Insulation	Thickness of Outer Sheath	Approx. Overall Dimensions of cable	Approx. Cable Weight	Standard Packing Length in Coil / Drum
Conductor	Circuit Protective Conductor	Conductor	Circuit Protective Conductor					
Sq.mm		Ohm/km		mm	mm	mm	Kg/Km	Yard/Meter
1.0*	1	18.1	18.1	0.6	0.9	4.7×8.6	74	100Y
1.5*	1	12.1	18.1	0.7	0.9	5.4×9.6	93	100Y
1.5	1	12.1	18.1	0.7	0.9	5.6×10.0	97	100Y
2.5*	1.5	7.41	12.1	0.8	1	6.2×11.5	130	100Y
2.5	1.5	7.41	12.1	0.8	1	6.6×12.0	135	100Y
4	1.5	4.61	12.1	0.8	1	7.2×13.0	175	100Y
6	2.5	3.08	7.41	0.8	1.1	8.0×15.0	235	100Y
10	4	1.83	4.61	1	1.2	9.6×19.0	370	1000M
16	6	1.15	3.08	1	1.3	11.0×22.5	525	1000M

\*Circular solid conductors (Class 1).

All other conductors Circular stranded (Class 2).

Circuit protective conductors - solid except for 10 sq.mm & 16 sq.mm.

Above Cable are insulated with 70°C compound.

Cables confirm to BS 6004.

[www.zmscable.com](http://www.zmscable.com)

Add: (Changzhuang Village) Fumin Road, Zhongyuan District, Zhengzhou City, Henan P.R.C., China / Code: 450042

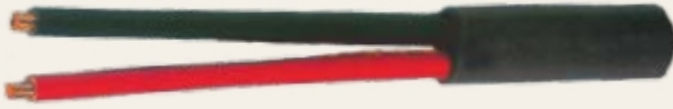
Tel.: 0086-371-67829367 / Fax: 0086-371-67828777

\* **ZMS--- TRANS MORE** \*



## 300/500V – TWIN FLAT CABLE

COPPER CONDUCTOR PVC INSULATED  
PVC SHEATHED CABLES  
WITHOUT CIRCUIT PROTECTIVE CONDUCTOR



**(CU / PVC / PVC)**

Nominal Area of Conductor	Maximum Conductor Resistance at 20°C	Thickness of Insulation	Approx. Overall Diameter	Approx. Cable Weight	Standard Packing Length	Approx. Gross Weight
Sq.mm	Ohm/Km	mm	mm	Kg/Km	Yard/Meter	KG
0.5	39	0.8	3	12	100Y	1.1
0.75	26	0.8	3.2	15	100Y	1.4
1	19.5	0.8	3.4	18	100Y	1.6
1.5	13.3	0.8	3.7	23	100Y	2.2
2.5	7.98	0.8	4.2	33	100Y	3
4	4.95	0.8	4.8	48	100Y	4.4
6	3.3	0.8	6.3	70	100Y	6.4
10	1.91	1	7.8	115	100Y	11
16	1.21	1	9	170	100Y	16
25	0.78	1.2	11.5	270	100Y	25
35	0.554	1.2	13	365	1000M	430
50	0.386	1.4	15	505	1000M	570
70	0.272	1.4	17.5	700	1000M	810
95	0.206	1.6	19.5	960	1000M	1070
120	0.161	1.6	21.5	1200	1000M	1350
150	0.129	1.8	24	1510	1000M	1660
185	0.106	2	26.5	1830	1000M	2040
240	0.0801	2.2	30	2390	1000M	2630
300	0.0641	2.4	32	2990	500M	1650
400	0.0486	2.6	37	3940	500M	2210
500	0.0384	2.8	41	5020	500M	2750
630	0.0287	2.8	44	6070	250M	1670

\*Circular solid conductors (Class 1).

All other conductors Circular stranded (Class 2).

Above Cable are insulated with 70°C compound.

Cables confirm to BS 6004.

[www.zmscable.com](http://www.zmscable.com)

Add: (Changzhuang Village) Fumin Road, Zhongyuan District, Zhengzhou City, Henan P.R.C., China / Code: 450042

Tel.: 0086-371-67829367 / Fax: 0086-371-67828777

\* **ZMS--- TRANS MORE** \*



## 300/300V – PARALLEL TWIN

**COPPER CONDUCTOR PVC INSULATED  
H03VH – H AS PER BS 6500 - 1994**

**(CU / PVC)**

Nominal Area of Conductor	Maximum Conductor Resistance at 20	Thickness of Insulation	Approx. Overall Dimensions of Cable	Approx. Cable Weight	Standard Coil Length
Sq.mm	Ohm/km	mm	mm	Kg/Km	Yard/Meter
0.5	39	0.8	3.0×6.0	27	100
0.75	26	0.8	3.2×6.4	32	100

All conductors are flexible (Class 5).

All Cables are insulated with PVC 70°C Compound.

Cables conform to BS6500.





## ▣ Technical Data Tables

### Current Rating & Voltage Drop

Current rating and Voltage drop of Cables given below are based on the IEEE wiring regulations 17th edition. For detailed information, reference should be made to Appendix 4 of above IEEE edition.

### Current Carrying Capacity (Amps)

Single Core PVC Insulated Non-Sheathed Cables - Cables in conduit on a wall or ceiling or in trunking.

Nominal Area of Conductor	2 cables single phase ac or dc	3 or 4 cables three phase ac
Sq.mm	at 70 °C	at 70 °C
1	13.5	12
1.5	17.5	15.5
2.5	24	21
4	32	28
6	41	36
10	57	50
16	76	68
25	101	89
35	125	110
50	151	134
70	192	171
95	232	207
120	269	239
150	300	262
185	341	296
240	400	346
300	458	394
400	546	467
500	626	533
630	720	611

#### Installation conditions for above Rating:

Maximum Conductor Temp. for PVC T11 / Type A Insulation 70°C

Ambient Air Temperature 30°C

[www.zmscable.com](http://www.zmscable.com)

Add: (Changzhuang Village) Fumin Road, Zhongyuan District, Zhengzhou City, Henan P.R.C., China / Code: 450042

Tel.: 0086-371-67829367 / Fax: 0086-371-67828777

\* ZMS--- TRANS MORE \*



## Voltage Drop (mV/A/m)

Nominal Area of Conductor (Sq.mm)	2 cables single phase ac (enclosed in conduit or trunking)			3 or 4 cables three phase ac (enclosed in conduit or trunking)			
	r	x	z	r	x	z	z
1		44			38		
1.5		29			25		
2.5		18			15		
4		11			9.5		
6		7.3			6.4		
10		4.4			3.8		
16		2.8			2.4		
	r	x	z	r	x	z	z
25	1.8	0.33	1.8	1.5	0.29	1.55	1.55
35	1.3	0.31	1.3	1.1	0.27	1.1	1.1
50	0.95	0.3	1	0.81	0.26	0.85	0.85
70	0.65	0.29	0.72	0.56	0.25	0.61	0.61
95	0.49	0.28	0.56	0.42	0.24	0.48	0.48
120	0.39	0.27	0.47	0.33	0.23	0.41	0.41
150	0.31	0.27	0.41	0.27	0.23	0.36	0.36
185	0.25	0.27	0.37	0.22	0.23	0.32	0.32
240	0.195	0.26	0.33	0.17	0.23	0.29	0.29
300	0.16	0.26	0.31	0.14	0.23	0.27	0.27
400	0.13	0.26	0.29	0.12	0.22	0.25	0.25
500	0.11	0.26	0.28	0.1	0.22	0.25	0.25
630	0.094	0.25	0.27	0.08	0.22	0.24	0.24

Note: For cables having conductors of 16 mm<sup>2</sup> or less cross-sectional area, their inductance can be ignored and (mV/Nm)<sub>r</sub> values only are tabulated. For cables having conductor greater than 16 mm<sup>2</sup> cross-sectional area, the impedance values are given as (mv/Nm)<sub>z</sub>, together with the resistive component (mV/Nm)<sub>r</sub>, and the reactive component (mV/Nm)<sub>x</sub>.



## Rating factor for variation in ambient temperature

Ambient Temperature (°C)	25	30	35	40	45	50	55	60	65
PVC Insulated Cable (70°C)	1.03	1	0.94	0.87	0.79	0.71	0.61	0.5	0.35

## Correction Factor for groups of Cables

Arrangement (Cables touching)	Number of circuits or multicore Cables													
	2	3	4	5	6	7	8	9	10	12	14	16	18	20
Bunched in Air, on a surface, embedded or enclosed	0.80	0.70	0.65	0.60	0.57	0.54	0.52	0.50	0.48	0.45	0.43	0.41	0.39	0.38
Single layer on wall or Floor	0.85	0.79	0.75	0.73	0.72	0.72	0.71	0.70	0.70	0.70	0.70	0.70	0.70	0.70
Single layer multicore on a perforated horizontal or vertical cable tray system	0.88	0.82	0.77	0.75	0.73	0.73	0.72	0.72	0.72	0.72	0.72	0.72	0.72	0.72
Single layer multicore on cable ladder system or cleats etc.	0.87	0.82	0.80	0.80	0.79	0.79	0.78	0.78	0.78	0.78	0.78	0.78	0.78	0.78



## ▣ Short Circuit Curves

### 300/500V Flexible cords

**Current Carrying Capacity, Voltage Drop and Mass Supportable.**

Nominal Area of Conductor	Current-carrying Capacity		Voltage Drop		Maximum Mass supported by flexible cord
	Single-phase a.c.	Three-phase a.c.	Single-phase a.c.	Three-phase a.c.	
Sq.mm	A	A	mV/A/m	mV/A/m	kg
0.5	3	3	100	86	2
0.75	6	6	67	58	3
1	10	10	50	43	5
1.5	16	16	35	29	5
2.5	25	20	21	17	5
4	32	25	13	11	5

### Installation conditions for above Rating:

Maximum Conductor Temp. for PVC T11/Type A Insulation    70°C  
 Ambient Air Temperature    30°C

### Rating factor for variation in ambient temperature

Ambient Temperature (°C)	25	30	35	40	45	50	55	60	65
PVC Insulated Cable (70°C)	1	1	0.94	0.87	0.79	0.71	0.61	0.5	0.35





## Short Circuit Curves For Copper Conductor

### PVC 70°C Insulated Cable

$$I_{sc} = 0.115 \frac{A}{\sqrt{t}}$$

I<sub>sc</sub> - Short Circuit Current in KA

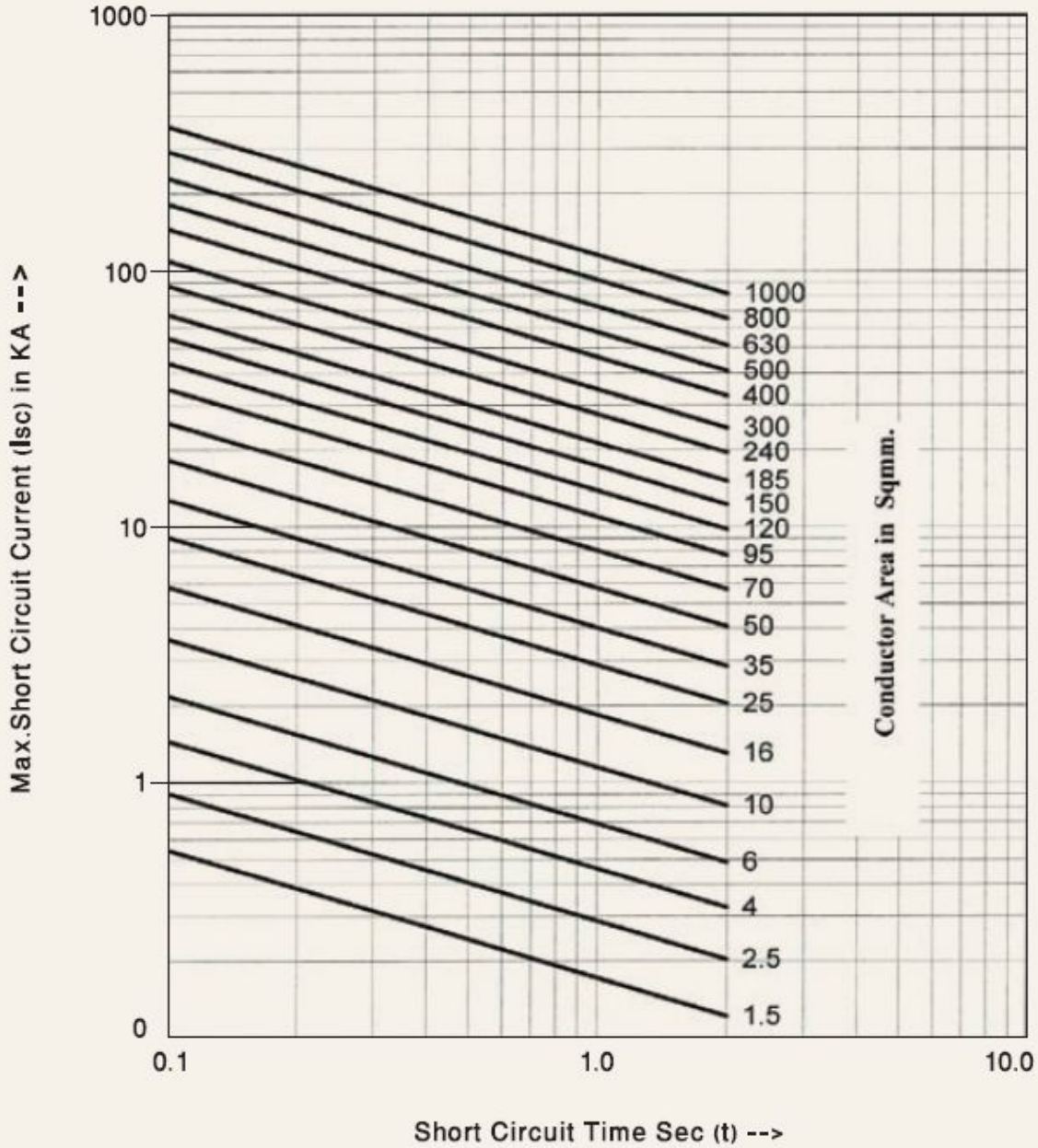
A - Conductor Area in Sq.mm

t - Short Circuit Time in Sec.

Note: Max. Permissible conductor temperature during short circuit = 160°C



## □ DRUMS



## DRUM SIZES AND DIMENSIONS

A- Flange diameter (Excluding Lagging), mm

B- Barrel diameter, mm

[www.zmscable.com](http://www.zmscable.com)

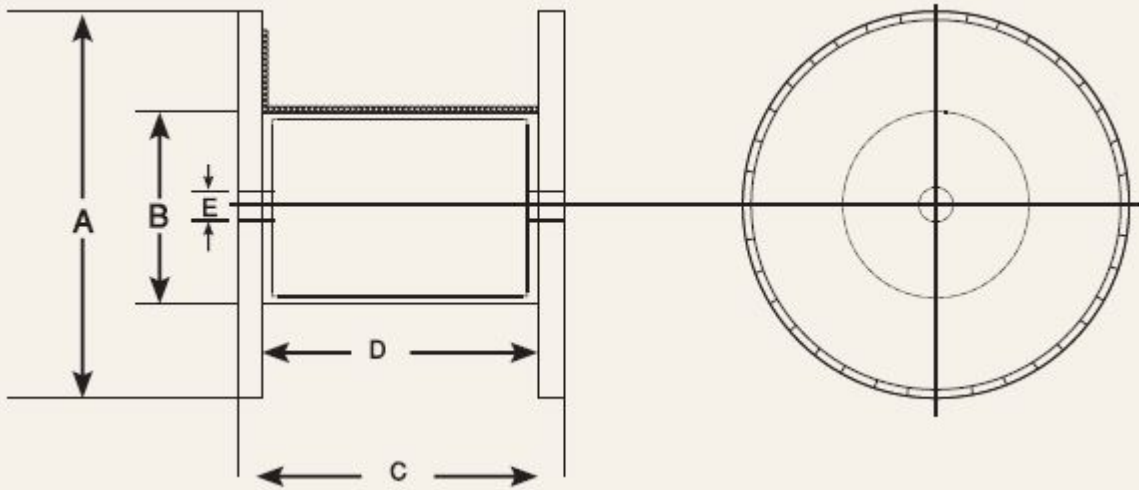
Add: (Changzhuang Village) Fumin Road, Zhongyuan District, Zhengzhou City, Henan P.R.C., China / Code: 450042

Tel.: 0086-371-67829367 / Fax: 0086-371-67828777

\* ZMS--- TRANS MORE \*



- C- Overall width, mm
- D- Traves width, mm
- E- Minimum spindle hole diameter, mm



## DIMENSIONS

Drum Size D-No.	A	B	C	D	E
D-1	1100	560	1100	940	110
D-2	2200	1100	1100	940	110

Drum dimensions in actual deliveries are subject to change without notice.